

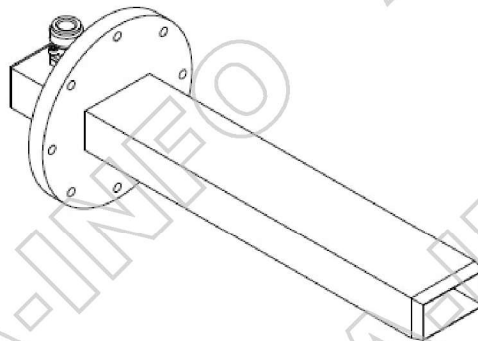
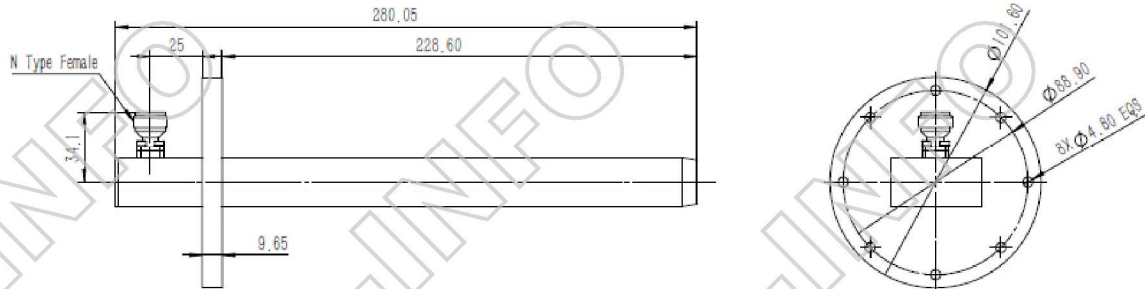
Technical Specification



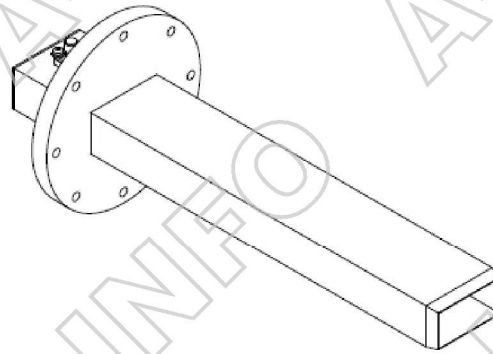
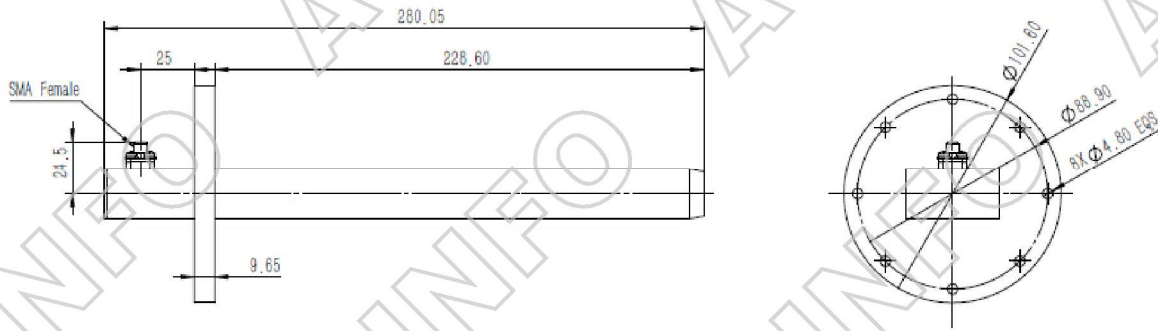
EIA WR	WR159
Frequency Range(GHz)	4.90-7.05
Gain(dB)	5 Typ.
VSWR	2.0 Typ.
Connector	N-F/SMA-F
Material	Al
Size(mm)	Φ101.60 x 280.05
Net Weight(Kg)	0.35 Around

Outline Drawing (Size: mm)

N Type Female Output



SMA Type Female Output



Test Results

VSWR

