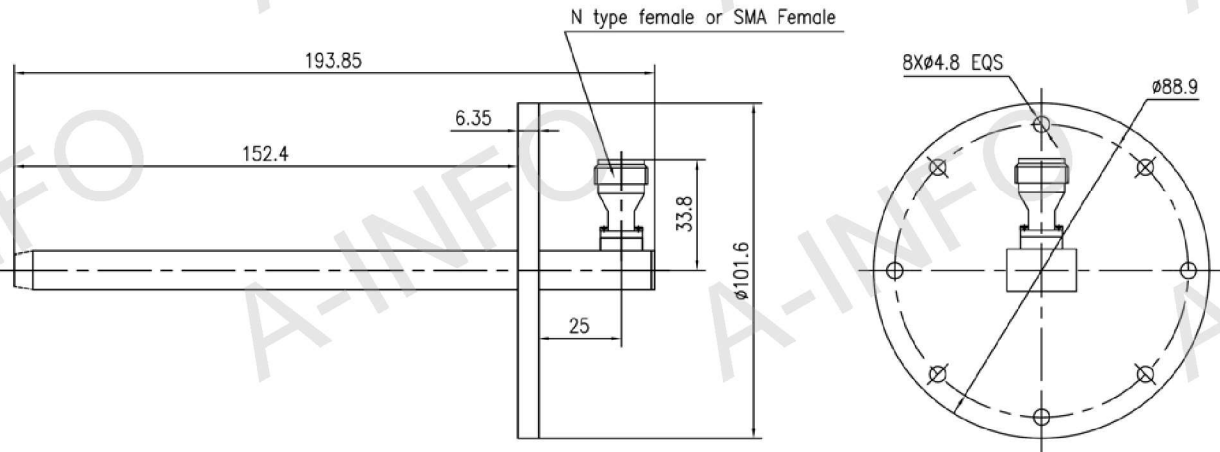


Technical Specification



EIA WR	WR75
Frequency Range (GHz)	10.0 - 15.0
Gain(dBi)	5.0 Typ.
VSWR	2.0:1 Typ.
Connector	SMA-Female/N-Female
Size(mm) AxBxC	193.85 X 152.4 X 6.35
Net Weight(Kg)	0.2 Around

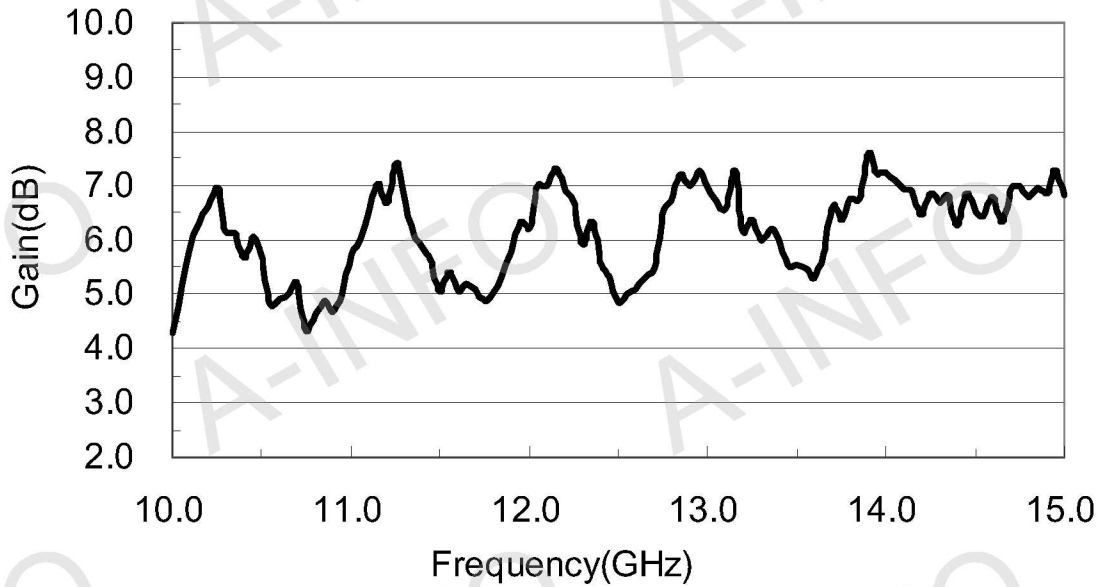
Outline Drawing (Size: mm)



Code	A	B	C	D	E	F	H	W
Value(mm)	193.85	152.4	6.35	101.6	88.9	4.80	9.53	19.05

Test Results

1. Gain



2. VSWR

