

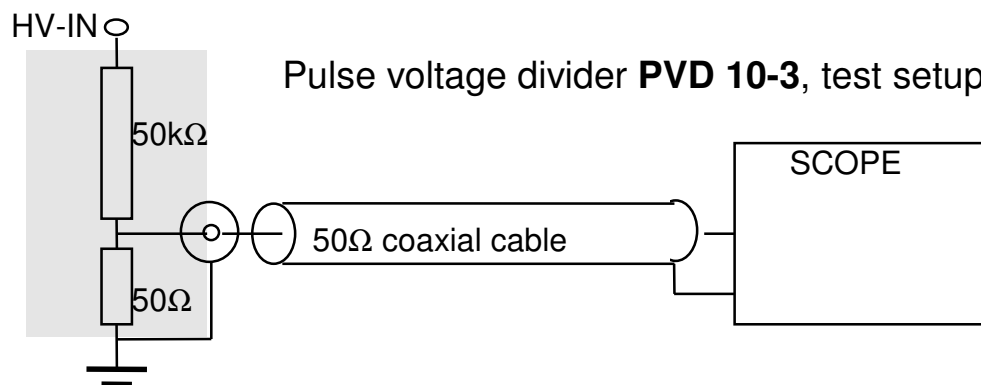
SURGE CALIBRATION KIT

SCK 105



The Surge Calibration Kit has been designed to measure the pulse output voltage and the pulse output current of surge generators, e.g. a combination wave generator. It essentially consists of a pulse voltage divider, a pulse current measuring resistor and a double shielded coaxial cable.

The Broad-band pulse voltage divider, type PVD 10-3 and the pulse current measuring resistor, PSM 10-2 are state-of-the-art measuring equipment whose excellent high-frequency transmission characteristics can be fully exploited only if properly operated and if all aspects typically encountered in the sub-microsecond time region, e.g. appropriate grounding, transmission line characteristics of leads, are fully considered.

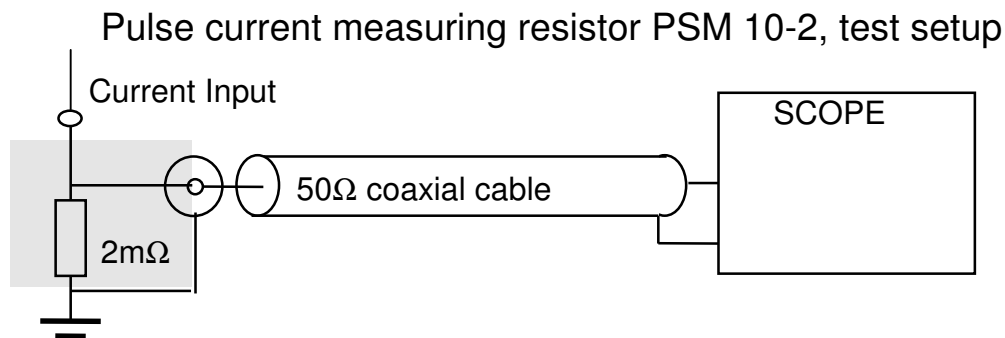


Technical specification

Input voltage, 1.2 / 50 μ s wave form
 Input power dissipation
 Divider ratio
 Bandwidth
 Rise time

PVD 10-3

12 kV max
 2.5 W
 1000:1 \pm 1%
 0 - 10 MHz
 < 35 ns



Technical specification

Input current, 8 / 20 μ s wave form
 Input power dissipation
 Measuring Resistance Value
 Bandwidth
 Rise time

PSM 10-2

10 kA max
 1.0 W
 2.0 m Ω \pm 1%
 0 - >10 MHz
 < 35 ns

Dimensions:

