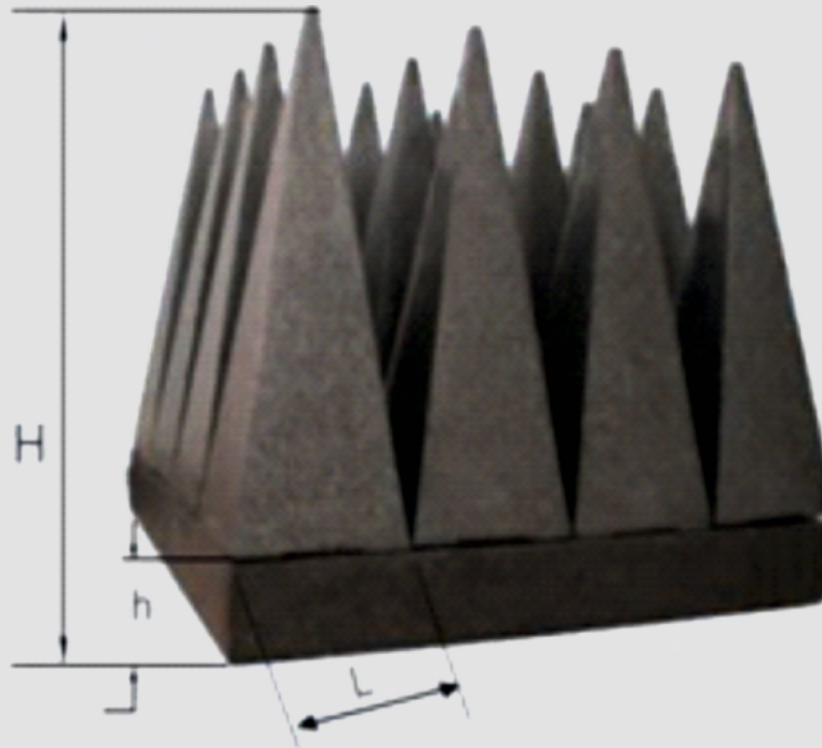


DMC PS Series



DMC EPS Absorber

DMC Polystyrene hybrid absorbers are high performance carbon loaded absorbers with operating frequency range 30 MHz to 40 GHz. These absorbers are optimized to be used with ferrite tiles in EMC chambers. It's close cell structure provides more stable performance and hygroscopic.

- Made by mold giving uniform and precise fitting
- Easy to install, plug-in pyramids
- No reflective edges, as the bases interlock provides 100% coverage
- Fire retardant to UL94 HBF, DIN4102-B2, En11925
- Clean room ; class ISO 14644-1
- ROHS and REACH compliant
- High wear and tear resistant
- 25 years life

Designed to use in

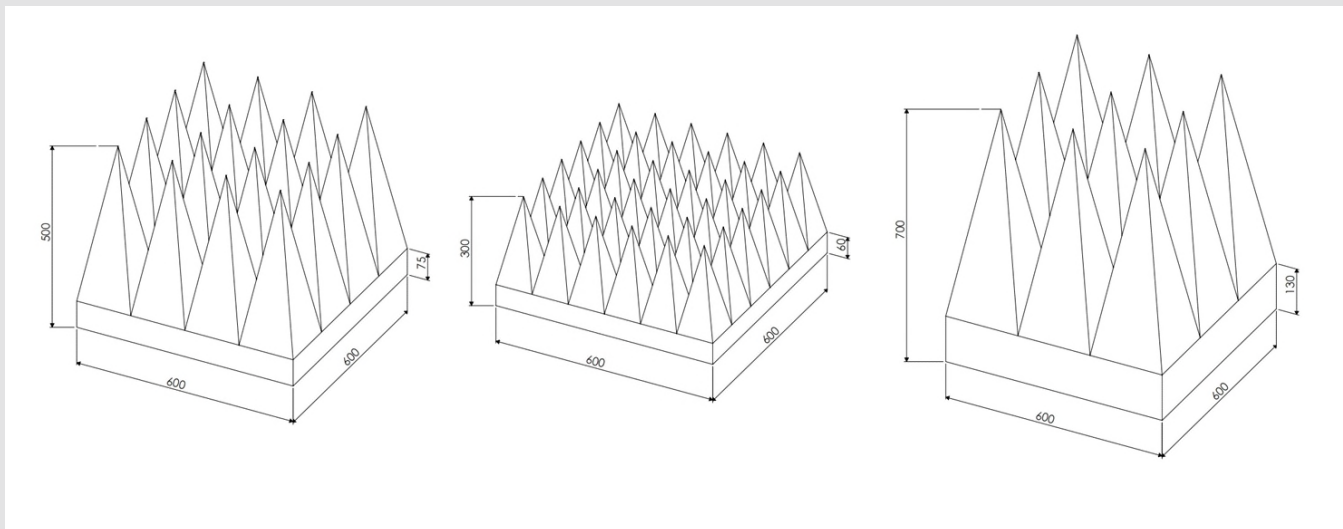
- EMC Chambers
- Antenna Measurement Chambers
- MIL-STD 461 military product test chambers
- Radar Cross Section, RCS Chambers

Physical properties

Product Name	Base size in mm	Pyramid qty/pc	Pyramid size H x L x W in mm	Standard Weight in KG/ m ²
DMC-PS-30	600 x 600	36	300 x 100 x 60	2
DMC-PS-50	600 x 600	16	500 x 145 x 75	3
DMC-PS-70	600 x 600	9	500 x 195 x 130	4.5

Performance

Product Name	0.03 GHz	0.08 GHz	0.3 GHz	0.5 GHz	1 GHz	3 GHz	6 GHz	10 GHz	18 GHz	Power Handling kW/m ²
DMC-PS-30	11	23	17	18	17	20	20	21	25	1
DMC-PS-50	14	26	20	20	19	20	21	25	28	1
DMC-PS-70	17	27	23	21	20	20	23	25	30	1



Disclaimer

Values shown are based on testing of laboratory test product and represent data that falls within normal range purpose. These values are not intended for use in establishing maximum, minimum or range of values for specification purposes. Construction standards and absorber mounting procedure define accurate results. The given information is based on data and knowledge considered to be true and accurate and is offered for the user's consideration, investigation and verification but we don't warrant the results to be obtained.

Note: Data below 500 MHz were tested by low frequency co-axial method (GJB5239-2004) and above 1 GHz .All data were tested by RVS method in remote field (GJB2038A-2011).