



DMC-PU-FLT Series



Typical Reflectivity (in dB) over Frequency for Flat Absorbers

Model	1 GHz	3 GHz	6 GHz	10 GHz	18 GHz	40 GHz
DMC-PU-FLT-50	10	18	18	19	19	22
DMC-PU-FLT-100	15	19	19	20	20	22

DMC Flat Absorber

DMC Polyurethane flat absorbers are light weight with good performance and can be used as corner block to fill areas near antenna. **PU-FLT** series can also be used to reduce side lobes, improves front to back ratio, absorbs clutter, eliminates interference and provides camouflage appearance and concealment of military facility.

Key Features

BROADBAND FREQUENCY RANGE OF OPERATION
30 MHz to 40 GHz

Easy Installation
Can be installed by adhesive or Velcro

TEMPERATURE
Continuous working temperature of up to 90°

ENVIRONMENT FRIENDLY
Made up of Environment friendly raw material, it's non-volatile and does not emit toxic gases.

LOW MAINTENANCE
Almost zero carbon dust, clean test site and very low maintenance required

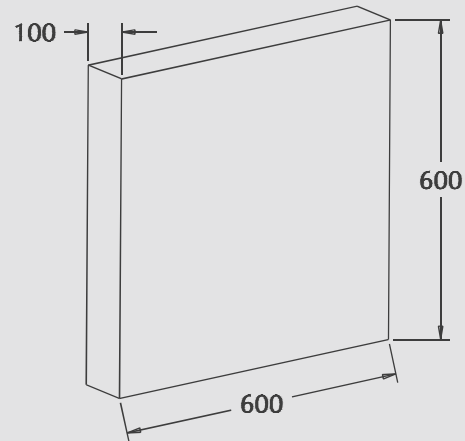
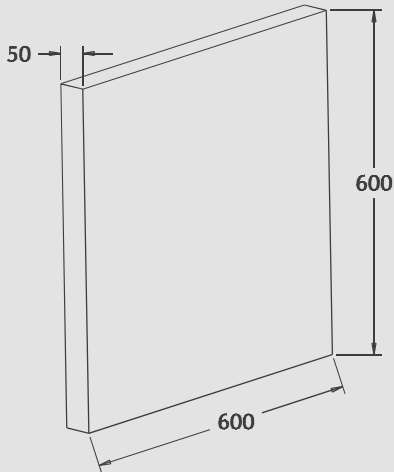
COLOR OPTIONS
Various color options available

FIRE RETARDANT
Fire Retardant as per NRL-8093 tests 1,2,3

ELECTRICAL PERFORMANCE
Long product life with excellent electrical performance

REPEATABILITY
Guaranteed performance with repeatable results

Dimensions



Color Options

