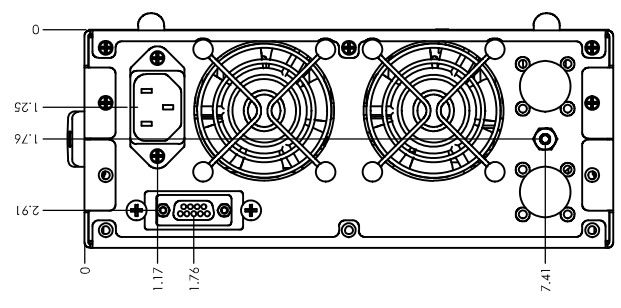
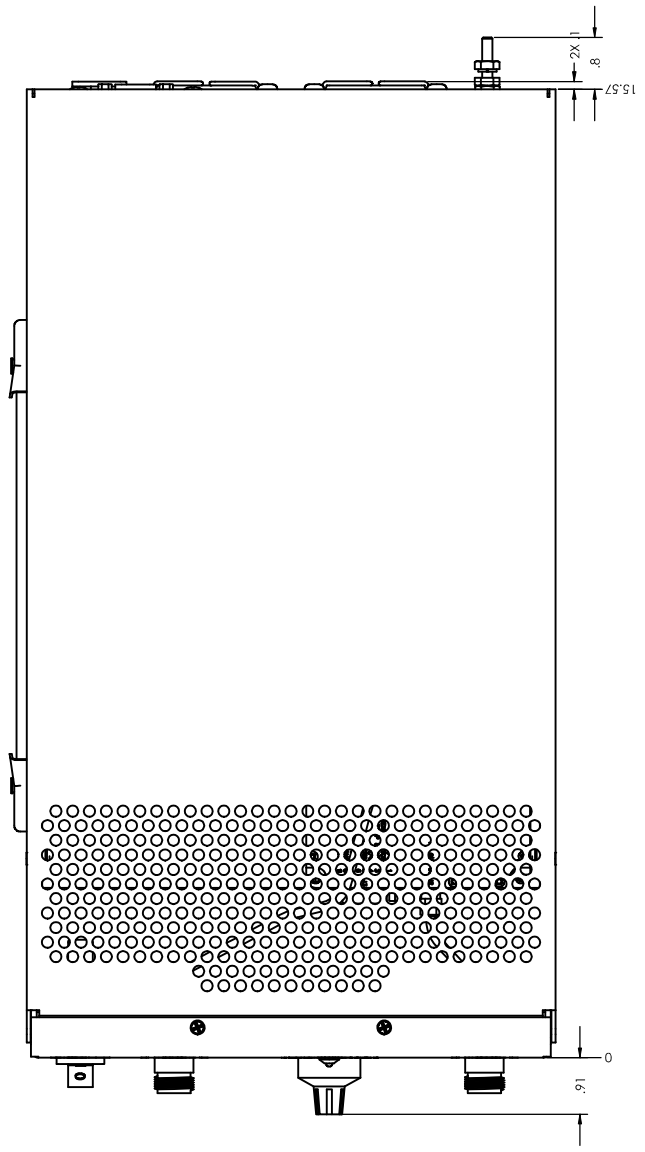
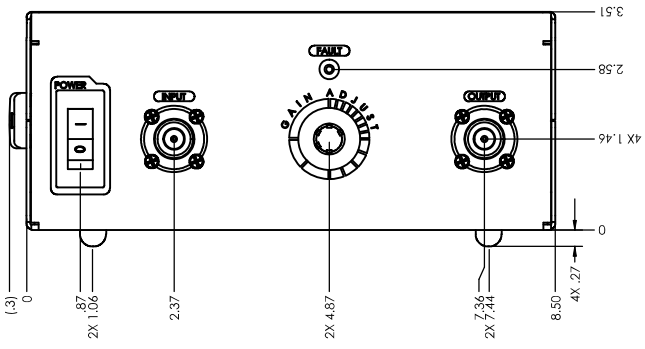
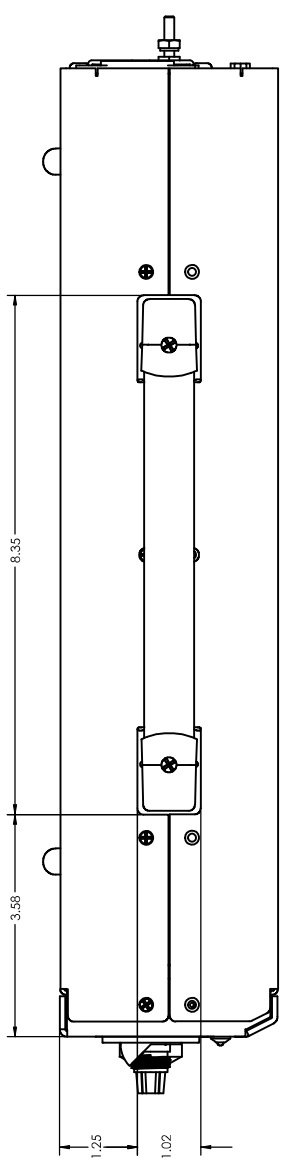


11111-1 01-11-11-A 1-1-11
 THIS DOCUMENT CONTAINS DATA WHICH IS PROPRIETARY
 TO RELIANT EMC. ALL RIGHTS ARE RESERVED.
 NO PART OF THIS DOCUMENT SHALL BE REPRODUCED OR
 TRANSMITTED IN ANY FORM OR BY ANY MEANS,
 ELECTRONIC OR MECHANICAL, INCLUDING PHOTOCOPYING,
 RECORDING, OR BY ANY INFORMATION STORAGE AND
 RETRIEVAL SYSTEM. ALL RIGHTS ARE RESERVED.



DESIGNED	SM	9/25/07
CHECKED		
REVISION		
DATE		
BY		
SCALE	1:1	

OUTLINE

REV	DATE	DESCRIPTION
1	09/25/07	SYSTEM OPTION 01