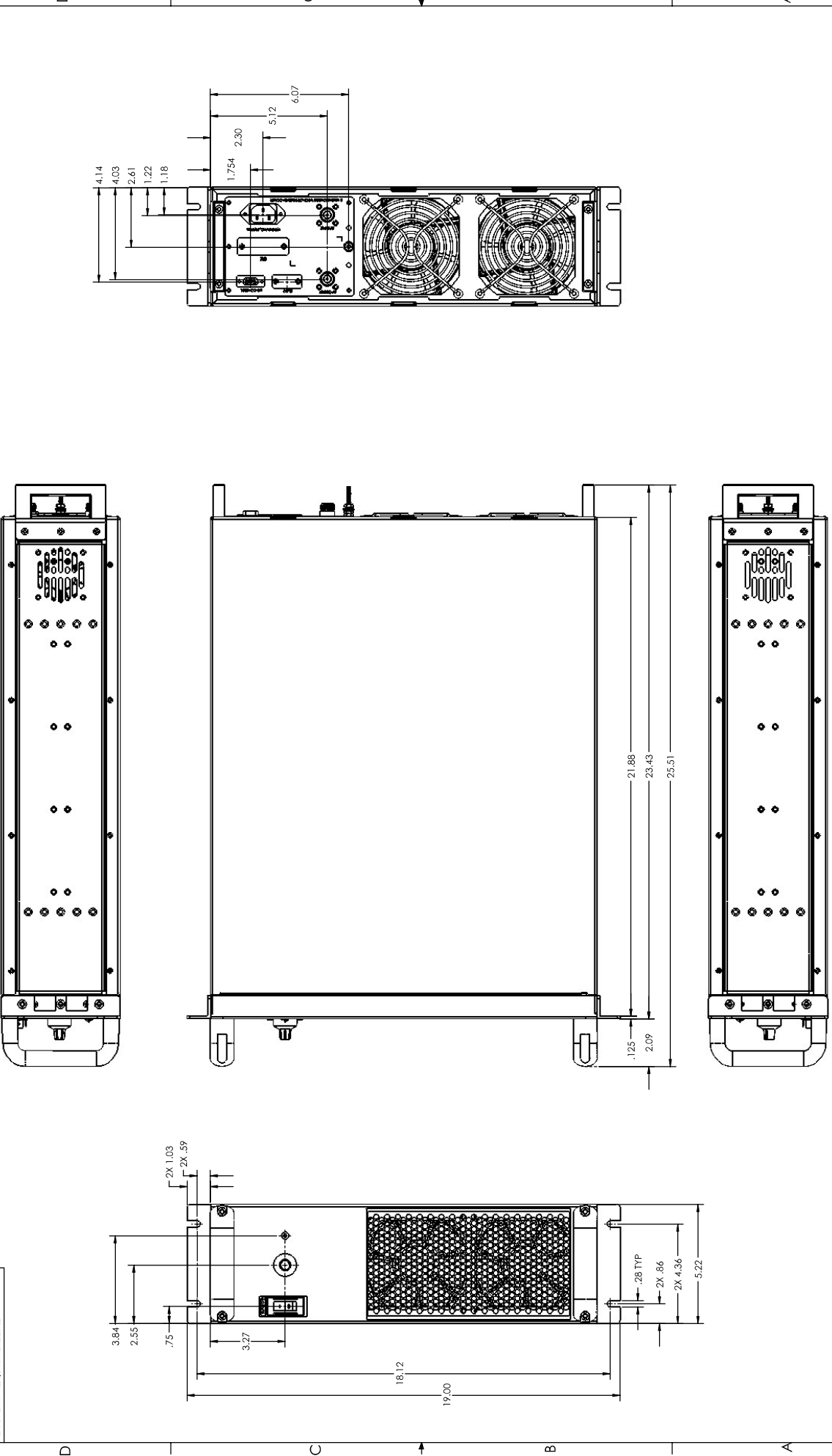


THE DOCUMENT CONTAINS DATA WHICH IS PROPRIETARY TO RELIANT EMC. ALL RIGHTS ARE RESERVED. NO PART OF THIS DOCUMENT SHALL BE REPRODUCED OR TRANSMITTED IN ANY FORM OR BY ANY MEANS, ELECTRONIC OR MECHANICAL, INCLUDING PHOTOCOPYING, RECORDING, OR BY ANY INFORMATION STORAGE AND RETRIEVAL SYSTEM. ALL RIGHTS ARE RESERVED.



OUTLINE DRAWING			
DESIGNED	APPROVED	DATE	REV
CHECKED	DATE	PROJECT NO.	1
DATE	SCALE	SYSTEM	1:1
DRAWN BY			SHEET 1 OF 1