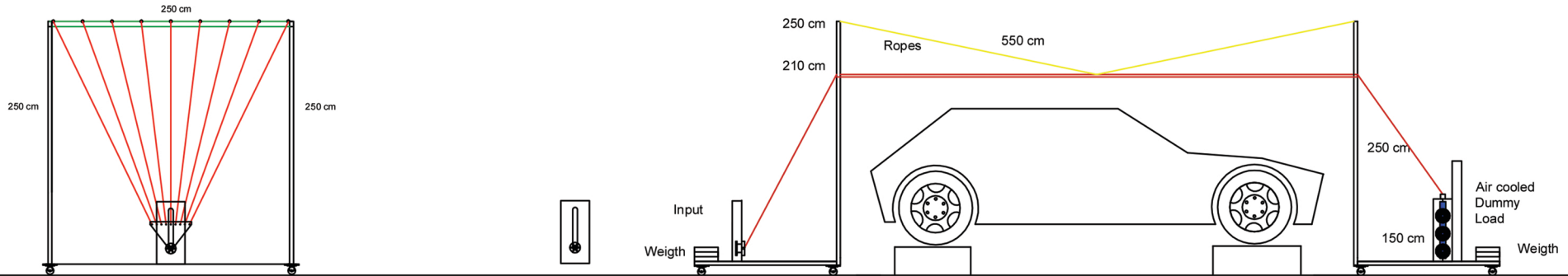


STRIPLINE AUTOMOTIVE DC-30MHz



- Adjustable Height from 2mts to 2,5mts.. with sliding system
- Air cooled Dummy load 9KW
- Trolley with swively wheels with brakes
- Input connector: EIA 1-5/8" for 15KW Max
- Tilt adjustment of the septum
- Carborundum High power resistors for different loads:
150R 3KW, 75R 6KW, 50R9KW
- Easy to assembly and store when unused
- Customized dimension and load available

