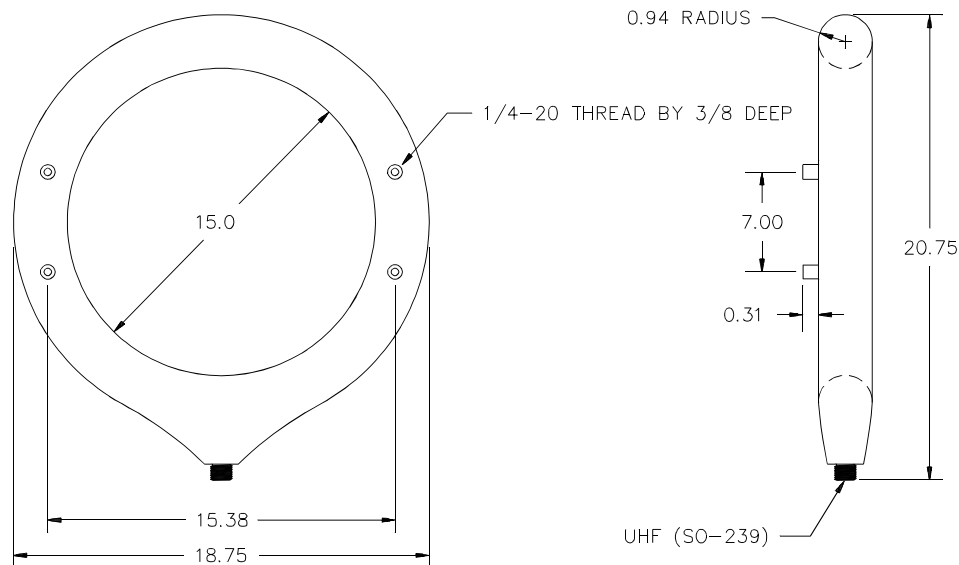


PEARSON™ CURRENT MONITOR MODEL 3382

Sensitivity	0.1 Volt/Ampere $\pm 1\%$
Output resistance	50 Ohm
Maximum peak current	1,000 Amperes
Maximum rms current	250 Amperes
Drop rate	0.05 %/microsecond
Useable rise time	80 nanoseconds
Current time product	1.5 Ampere-second*
Low frequency 3dB cut-off	100 Hz (approximate)
High frequency 3dB cut-off	4 MHz (approximate)
I/f figure	10 peak Amperes/Hz
Output connector	UHF (SO-239)
Shielding	Double
Operating temperature	0 to 65 °C
Weight	17 pounds

* Maximum current-time product can be obtained by using core-reset bias as described in the *Application Notes*.
0.5 Ampere-second is typical without bias.



(DRAWING NOT TO SCALE)