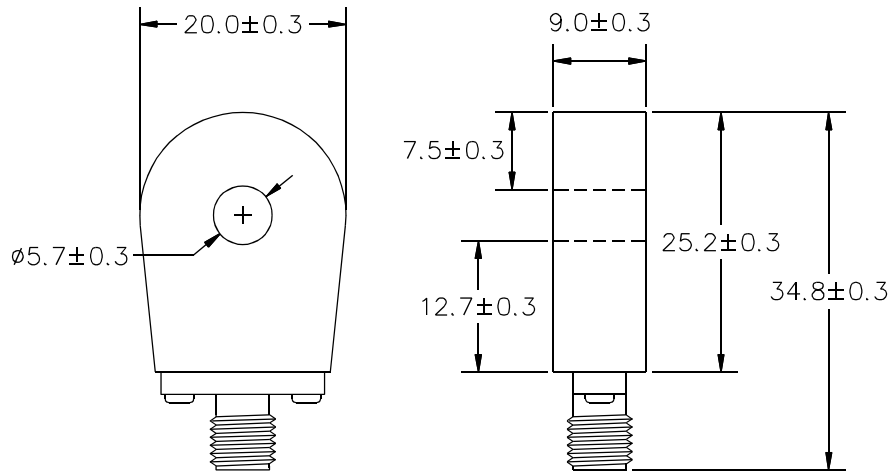


# PEARSON™ CURRENT MONITOR MODEL 6535-03



Sensitivity	0.005 V/A ±1 %
Output resistance	50 Ohm
Maximum peak current	5 000 A
Maximum rms current	30 A
Droop rate	1.5 %/ms
Useable rise time	20 ns
Current time product	0.04 A s maximum*
Low frequency 3dB point	2.5 Hz (approximate)
High frequency 3dB point	20 MHz (approximate)
I/f figure	0.25 peak A/Hz
Output connector	SMA
Operating temperature	0 to 65 °C
Weight	16 gm

\* Maximum current-time product can be obtained by using core-reset bias as described in the *Application Notes*. 0.014 Ampere-second is typical without bias.



Dimensions in mm