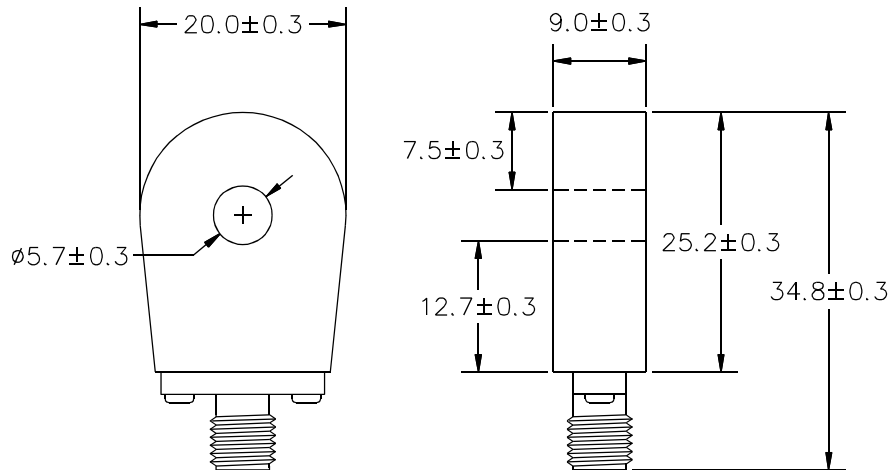


PEARSON™ CURRENT MONITOR MODEL 8105-03



Sensitivity	0.1 V/A ±1 %
Output resistance	50 Ohm
Maximum peak current	300 A
Maximum rms current	6 A
Droop rate	0.05 % / μs
Useable rise time	10 ns
Current time product	0.002 A s maximum*
Low frequency 3dB point	50 Hz (approximate)
High frequency 3dB point	40 MHz (approximate)
I/f figure	0.009 rms A/Hz
Output connector	SMA
Operating temperature	0 to 65 °C
Weight	16 gm

* Maximum current-time product can be obtained by using core-reset bias as described in the *Application Notes*. 0.0006 Ampere-second is typical without bias.



Dimensions in mm