

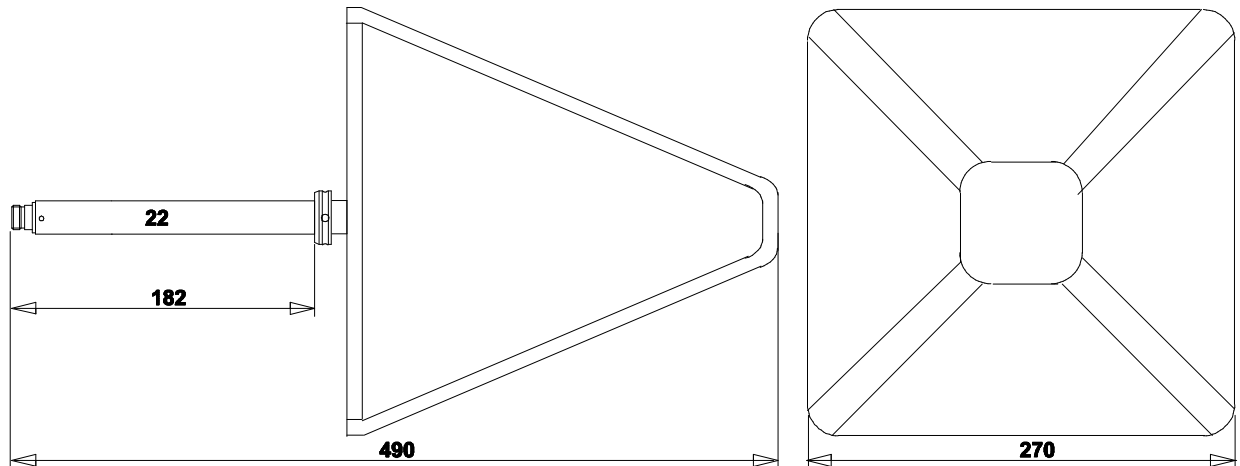
SCHWARZBECK MESS - ELEKTRONIK

An der Klinge 29 D-69250 Schönau Tel.: 06228/1001 Fax.: (49)6228/1003

Mikrowellen Log. - Per. Antenne STLP 9148

Microwave Log.-Per. Antenna STLP 9148

STLP 9148-110



Beschreibung:

Gestockte Logarithmisch -Periodische Breitbandantenne (linear polarisiert) für Sende- und Empfangsanwendungen im Mikrowellenbereich. Die Antennenstruktur besteht aus lasergeschnittenem Messingblech. Zum Schutz der feinen Antennenstruktur gegen Beschädigungen ist die Antenne mit einer abnehmbaren Kunststoffhaube ausgestattet.

Description:

Stacked Logarithmic-Periodic Broadband Antenna for Linear polarised RX- and TX-applications in the microwave frequency range. The antenna structure is made of laser-cut brass. For protection of the fine antenna structure against damage the antenna is equipped with a removable plastic protection cover.

Technische Daten:

Nenn-Frequenzbereich:	1 - 18 GHz
Nutzbarer Frequenzbereich:	0.7 - 20 GHz
Anschluß: Buchse	50 Ω N
Befestigungsrohr:	$\phi=22$ mm, L=185 mm
Isotropgewinn:	typ. 8.6 dBi +/- 1 dB
Antennenwandlungsmaß:	20...49 dB/m
SWR typ.:	< 2
Max. Eingangsleistung:	50 W
Halbwertsbreite E-Ebene:	58 °
Halbwertsbreite H-Ebene:	60 °
Vor-Rückmaß:	> 25 dB
Kreuzpolarisationsdämpfung:	> 28 dB
Abmessungen:	490 x 270 x 270 mm
Gewicht:	1.2 kg

Specifications:

Nominal Frequency range:	1 - 18 GHz
Useable Frequency range:	0.7 - 20 GHz
Connector:	female
Mounting tube:	$\phi=22$ mm, L=185 mm
Isotropic gain:	typ. 8.6 dBi +/- 1 dB
Antenna Factor:	20...49 dB/m
SWR typ.:	< 2
Max. Input Power:	50 W
Half-Power Beamwidth (E-plane):	58 °
Half-Power Beamwidth (H-plane):	60 °
Front to Back Ratio:	> 25 dB
Cross Polarisation Rejection:	> 28 dB
Dimensions:	490 x 270 x 270 mm
Weight:	1.2 kg

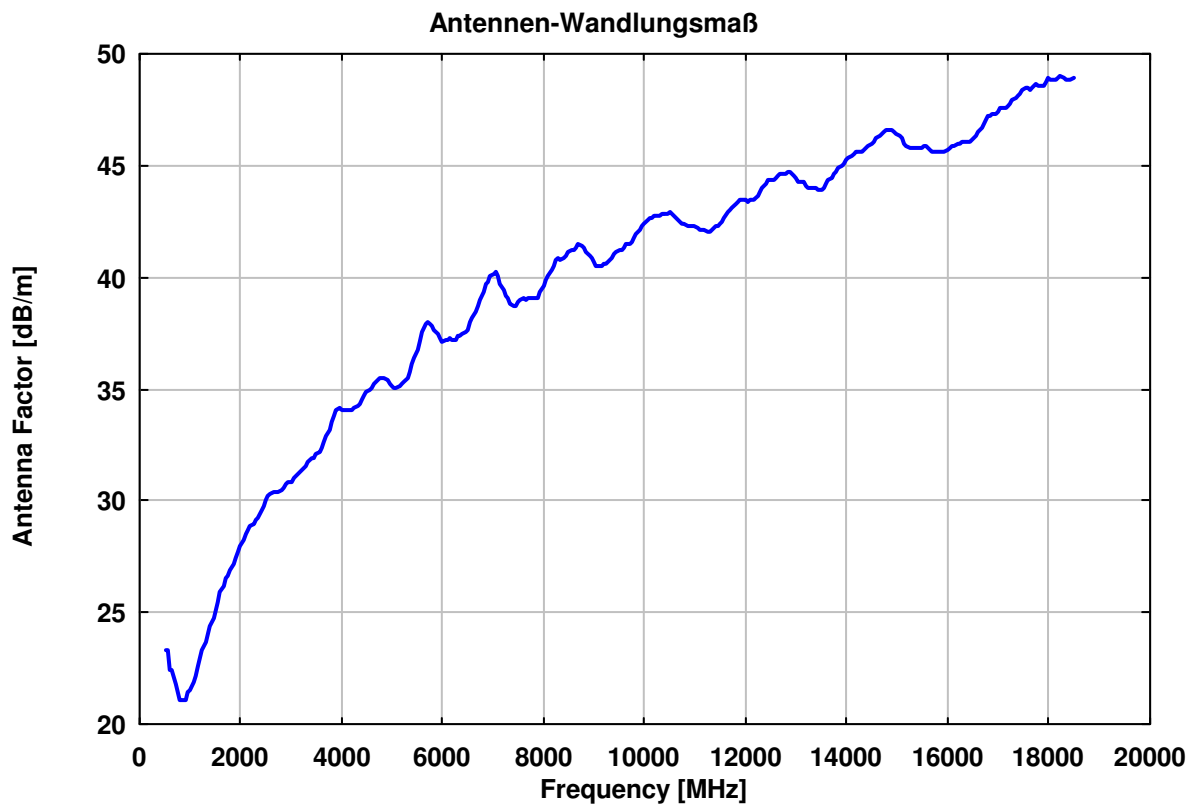
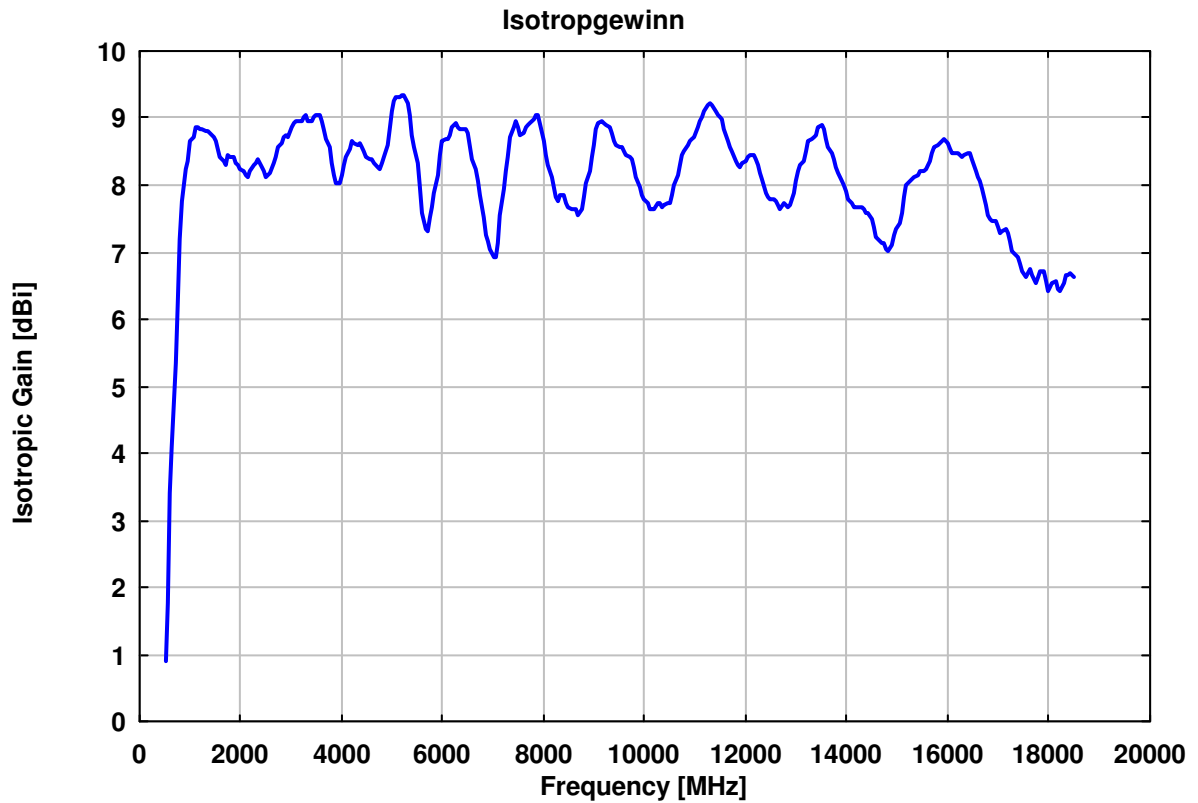
SCHWARZBECK MESS - ELEKTRONIK

An der Klinge 29 D-69250 Schönau Tel.: 06228/1001 Fax.: (49)6228/1003

Mikrowellen Log. - Per. Antenne STLP 9148

Microwave Log.-Per. Antenna STLP 9148

STLP 9148-110



SCHWARZBECK MESS - ELEKTRONIK

An der Klinge 29 D-69250 Schönau Tel.: 06228/1001 Fax.: (49)6228/1003

Mikrowellen Log. - Per. Antenne STLP 9148

Microwave Log.-Per. Antenna STLP 9148

STLP 9148-110

Frequency Frequenz	Distance Abstand	Wavelength Wellenlänge	Attenuation Dämpfung	Gain(Isotr.) Isotropgewinn	Gain(Dipole) Gewinn über Dipol	Ant.-Factor Ant.-Wandlungsmaß
MHz	m	m	dB	dBi	dBd	dB/m
600.00	1.23	0.500	23.02	3.39	1.24	22.39
650.00	1.23	0.462	22.30	4.10	1.95	22.38
700.00	1.23	0.429	20.46	5.34	3.19	21.78
750.00	1.23	0.400	19.25	6.25	4.10	21.47
800.00	1.23	0.375	17.92	7.19	5.04	21.09
850.00	1.20	0.353	17.11	7.76	5.61	21.05
900.00	1.18	0.333	16.45	8.25	6.10	21.05
950.00	1.16	0.316	16.54	8.36	6.21	21.41
1000.00	1.14	0.300	16.26	8.65	6.50	21.57
1050.00	1.12	0.286	16.39	8.73	6.58	21.91
1100.00	1.10	0.273	16.42	8.86	6.71	22.19
1150.00	1.09	0.261	16.67	8.87	6.72	22.57
1200.00	1.08	0.250	16.96	8.85	6.70	22.95
1250.00	1.06	0.240	17.22	8.85	6.70	23.31
1300.00	1.05	0.231	17.54	8.82	6.66	23.68
1350.00	1.04	0.222	17.77	8.82	6.67	24.01
1400.00	1.03	0.214	18.10	8.77	6.62	24.37
1450.00	1.02	0.207	18.41	8.73	6.58	24.71
1500.00	1.02	0.200	18.80	8.65	6.49	25.10
1550.00	1.01	0.194	19.24	8.53	6.38	25.49
1600.00	1.00	0.188	19.70	8.41	6.26	25.89
1650.00	0.99	0.182	20.01	8.36	6.21	26.21
1700.00	0.99	0.176	20.30	8.31	6.16	26.52
1750.00	0.98	0.171	20.24	8.44	6.29	26.64
1800.00	0.97	0.167	20.47	8.42	6.27	26.90
1850.00	0.97	0.162	20.68	8.41	6.26	27.15
1900.00	0.96	0.158	21.05	8.32	6.17	27.48
1950.00	0.96	0.154	21.28	8.30	6.15	27.72
2000.00	0.95	0.150	21.54	8.25	6.10	27.99
2050.00	0.95	0.146	21.82	8.20	6.05	28.25
2100.00	0.94	0.143	22.08	8.16	6.01	28.51
2150.00	0.94	0.140	22.29	8.13	5.98	28.73
2200.00	0.94	0.136	22.31	8.21	6.06	28.86
2250.00	0.93	0.133	22.26	8.31	6.16	28.95
2300.00	0.93	0.130	22.36	8.34	6.19	29.11
2350.00	0.93	0.128	22.41	8.39	6.24	29.25
2400.00	0.92	0.125	22.78	8.28	6.13	29.54
2450.00	0.92	0.122	23.10	8.20	6.05	29.80
2500.00	0.92	0.120	23.39	8.13	5.98	30.05
2550.00	0.91	0.118	23.49	8.15	6.00	30.20
2600.00	0.91	0.115	23.56	8.19	6.04	30.33
2650.00	0.91	0.113	23.39	8.34	6.19	30.34
2700.00	0.91	0.111	23.38	8.42	6.27	30.43
2750.00	0.90	0.109	23.19	8.58	6.43	30.43
2800.00	0.90	0.107	23.21	8.64	6.49	30.53
2850.00	0.90	0.105	23.14	8.73	6.58	30.58
2900.00	0.90	0.103	23.26	8.74	6.59	30.72
MHz	m	m	dB	dBi	dBd	dB/m

SCHWARZBECK MESS - ELEKTRONIK

An der Klinge 29 D-69250 Schönau Tel.: 06228/1001 Fax.: (49)6228/1003

Mikrowellen Log. - Per. Antenne STLP 9148

Microwave Log.-Per. Antenna STLP 9148

STLP 9148-110

Frequency	Distance	Wavelength	Attenuation	Gain(Isotr.)	Gain(Dipole)	Ant.-Factor
Frequenz	Abstand	Wellenlänge	Dämpfung	Isotropgewinn	Gewinn über Dipol	Ant.-Wandlungsmaß
MHz	m	m	dB	dBi	dBd	dB/m
2950.00	0.89	0.102	23.42	8.73	6.58	30.89
3000.00	0.89	0.100	23.24	8.88	6.73	30.88
3050.00	0.89	0.098	23.26	8.93	6.78	30.98
3100.00	0.89	0.097	23.34	8.95	6.80	31.09
3150.00	0.89	0.095	23.42	8.97	6.82	31.22
3200.00	0.88	0.094	23.54	8.97	6.82	31.35
3250.00	0.88	0.092	23.56	9.02	6.87	31.44
3300.00	0.88	0.091	23.60	9.06	6.91	31.53
3350.00	0.88	0.090	23.90	8.97	6.81	31.76
3400.00	0.88	0.088	24.02	8.96	6.81	31.89
3450.00	0.88	0.087	24.00	9.02	6.87	31.95
3500.00	0.87	0.086	24.07	9.05	6.89	32.06
3550.00	0.87	0.085	24.14	9.06	6.91	32.16
3600.00	0.87	0.083	24.43	8.97	6.82	32.37
3650.00	0.87	0.082	24.78	8.85	6.70	32.62
3700.00	0.87	0.081	25.18	8.70	6.55	32.88
3750.00	0.87	0.080	25.57	8.56	6.41	33.14
3800.00	0.87	0.079	26.15	8.32	6.17	33.49
3850.00	0.87	0.078	26.60	8.15	5.99	33.78
3900.00	0.86	0.077	26.95	8.02	5.87	34.02
3950.00	0.86	0.076	27.03	8.03	5.88	34.12
4000.00	0.86	0.075	26.87	8.16	6.01	34.10
4050.00	0.86	0.074	26.69	8.30	6.15	34.07
4100.00	0.86	0.073	26.54	8.42	6.27	34.05
4150.00	0.86	0.072	26.37	8.55	6.40	34.03
4200.00	0.86	0.071	26.24	8.66	6.51	34.02
4250.00	0.86	0.071	26.38	8.64	6.49	34.15
4300.00	0.86	0.070	26.53	8.61	6.46	34.28
4350.00	0.85	0.069	26.61	8.62	6.47	34.37
4400.00	0.85	0.068	26.78	8.58	6.42	34.51
4450.00	0.85	0.067	27.03	8.50	6.34	34.69
4500.00	0.85	0.067	27.28	8.41	6.26	34.87
4550.00	0.85	0.066	27.42	8.39	6.24	34.99
4600.00	0.85	0.065	27.49	8.40	6.25	35.08
4650.00	0.85	0.065	27.73	8.32	6.17	35.25
4700.00	0.85	0.064	27.91	8.27	6.12	35.39
4750.00	0.85	0.063	28.05	8.24	6.09	35.51
4800.00	0.85	0.063	27.96	8.33	6.18	35.52
4850.00	0.85	0.062	27.83	8.43	6.28	35.50
4900.00	0.84	0.061	27.57	8.61	6.46	35.42
4950.00	0.84	0.061	27.13	8.87	6.71	35.25
5000.00	0.84	0.060	26.74	9.10	6.95	35.10
5050.00	0.84	0.059	26.48	9.27	7.12	35.02
5100.00	0.84	0.059	26.49	9.31	7.15	35.07
5150.00	0.84	0.058	26.55	9.31	7.16	35.14
5200.00	0.84	0.058	26.55	9.35	7.20	35.19
5250.00	0.84	0.057	26.64	9.34	7.19	35.28
5300.00	0.84	0.057	26.93	9.24	7.09	35.47
5350.00	0.84	0.056	27.36	9.06	6.91	35.73
MHz	m	m	dB	dBi	dBd	dB/m

SCHWARZBECK MESS - ELEKTRONIK

An der Klinge 29 D-69250 Schönau Tel.: 06228/1001 Fax.: (49)6228/1003

Mikrowellen Log. - Per. Antenne STLP 9148

Microwave Log.-Per. Antenna STLP 9148

STLP 9148-110

Frequency	Distance	Wavelength	Attenuation	Gain(Isotr.)	Gain(Dipole)	Ant.-Factor
Frequenz	Abstand	Wellenlänge	Dämpfung	Isotropgewinn	Gewinn über Dipol	Ant.-Wandlungsmaß
MHz	m	m	dB	dBi	dBd	dB/m
5400.00	0.84	0.056	28.03	8.76	6.61	36.11
5450.00	0.84	0.055	28.50	8.56	6.41	36.39
5500.00	0.84	0.055	29.06	8.32	6.17	36.71
5550.00	0.84	0.054	29.79	7.99	5.84	37.11
5600.00	0.84	0.054	30.63	7.60	5.45	37.58
5650.00	0.83	0.053	31.23	7.34	5.19	37.92
5700.00	0.83	0.053	31.35	7.32	5.17	38.02
5750.00	0.83	0.052	31.04	7.51	5.35	37.91
5800.00	0.83	0.052	30.78	7.67	5.52	37.82
5850.00	0.83	0.051	30.39	7.90	5.75	37.66
5900.00	0.83	0.051	29.96	8.15	6.00	37.49
5950.00	0.83	0.050	29.40	8.46	6.31	37.25
6000.00	0.83	0.050	29.10	8.65	6.50	37.13
6050.00	0.83	0.050	29.07	8.70	6.55	37.16
6100.00	0.83	0.049	29.12	8.70	6.55	37.22
6150.00	0.83	0.049	29.07	8.76	6.61	37.24
6200.00	0.83	0.048	28.92	8.87	6.72	37.20
6250.00	0.83	0.048	28.87	8.93	6.78	37.21
6300.00	0.83	0.048	29.05	8.87	6.72	37.34
6350.00	0.83	0.047	29.17	8.84	6.69	37.43
6400.00	0.83	0.047	29.24	8.84	6.69	37.50
6450.00	0.83	0.047	29.32	8.83	6.68	37.58
6500.00	0.83	0.046	29.46	8.79	6.64	37.69
6550.00	0.83	0.046	29.95	8.58	6.43	37.97
6600.00	0.83	0.045	30.36	8.40	6.25	38.21
6650.00	0.82	0.045	30.76	8.24	6.08	38.44
6700.00	0.82	0.045	31.16	8.06	5.91	38.68
6750.00	0.82	0.044	31.66	7.84	5.69	38.96
6800.00	0.82	0.044	32.34	7.53	5.38	39.34
6850.00	0.82	0.044	32.94	7.26	5.11	39.67
6900.00	0.82	0.043	33.17	7.18	5.03	39.82
6950.00	0.82	0.043	33.52	7.03	4.88	40.03
7000.00	0.82	0.043	33.76	6.94	4.79	40.18
7050.00	0.82	0.043	33.84	6.93	4.78	40.25
7100.00	0.82	0.042	33.47	7.14	4.99	40.10
7150.00	0.82	0.042	32.70	7.56	5.41	39.75
7200.00	0.82	0.042	32.00	7.94	5.79	39.43
7250.00	0.82	0.041	31.52	8.20	6.05	39.22
7300.00	0.82	0.041	31.12	8.43	6.28	39.05
7350.00	0.82	0.041	30.61	8.72	6.56	38.83
7400.00	0.82	0.041	30.34	8.88	6.73	38.73
7450.00	0.82	0.040	30.21	8.97	6.82	38.69
7500.00	0.82	0.040	30.48	8.86	6.71	38.86
7550.00	0.82	0.040	30.74	8.76	6.61	39.02
7600.00	0.82	0.039	30.78	8.77	6.61	39.07
7650.00	0.82	0.039	30.64	8.86	6.71	39.03
7700.00	0.82	0.039	30.60	8.91	6.76	39.04
7750.00	0.82	0.039	30.60	8.93	6.78	39.07
7800.00	0.82	0.038	30.58	8.98	6.82	39.09
MHz	m	m	dB	dBi	dBd	dB/m

SCHWARZBECK MESS - ELEKTRONIK

An der Klinge 29 D-69250 Schönau Tel.: 06228/1001 Fax.: (49)6228/1003

Mikrowellen Log. - Per. Antenne STLP 9148

Microwave Log.-Per. Antenna STLP 9148

STLP 9148-110

Frequency	Distance	Wavelength	Attenuation	Gain(Isotr.)	Gain(Dipole)	Ant.-Factor
Frequenz	Abstand	Wellenlänge	Dämpfung	Isotropgewinn	Gewinn über Dipol	Ant.-Wandlungsmaß
MHz	m	m	dB	dBi	dBd	dB/m
7850.00	0.82	0.038	30.45	9.06	6.91	39.05
7900.00	0.82	0.038	30.53	9.05	6.90	39.12
7950.00	0.82	0.038	30.82	8.93	6.78	39.30
8000.00	0.82	0.038	31.39	8.67	6.52	39.61
8050.00	0.82	0.037	31.90	8.44	6.29	39.89
8100.00	0.82	0.037	32.22	8.31	6.16	40.08
8150.00	0.81	0.037	32.64	8.12	5.97	40.32
8200.00	0.81	0.037	33.01	7.96	5.81	40.53
8250.00	0.81	0.036	33.34	7.82	5.67	40.73
8300.00	0.81	0.036	33.54	7.75	5.60	40.85
8350.00	0.81	0.036	33.37	7.86	5.71	40.80
8400.00	0.81	0.036	33.46	7.84	5.69	40.87
8450.00	0.81	0.036	33.70	7.74	5.59	41.01
8500.00	0.81	0.035	33.90	7.67	5.51	41.14
8550.00	0.81	0.035	34.01	7.63	5.48	41.22
8600.00	0.81	0.035	34.05	7.64	5.49	41.27
8650.00	0.81	0.035	34.08	7.65	5.50	41.31
8700.00	0.81	0.034	34.32	7.55	5.40	41.46
8750.00	0.81	0.034	34.21	7.63	5.48	41.43
8800.00	0.81	0.034	33.89	7.81	5.66	41.30
8850.00	0.81	0.034	33.53	8.02	5.87	41.14
8900.00	0.81	0.034	33.17	8.22	6.07	40.99
8950.00	0.81	0.034	32.80	8.43	6.28	40.83
9000.00	0.81	0.033	32.50	8.60	6.45	40.70
9050.00	0.81	0.033	32.06	8.85	6.69	40.51
9100.00	0.81	0.033	31.92	8.93	6.78	40.47
9150.00	0.81	0.033	31.90	8.97	6.82	40.48
9200.00	0.81	0.033	32.04	8.92	6.77	40.58
9250.00	0.81	0.032	32.15	8.89	6.74	40.65
9300.00	0.81	0.032	32.26	8.86	6.71	40.73
9350.00	0.81	0.032	32.46	8.78	6.63	40.86
9400.00	0.81	0.032	32.76	8.65	6.50	41.03
9450.00	0.81	0.032	32.92	8.59	6.44	41.13
9500.00	0.81	0.032	33.04	8.56	6.40	41.22
9550.00	0.81	0.031	33.04	8.58	6.43	41.24
9600.00	0.81	0.031	33.19	8.52	6.37	41.34
9650.00	0.81	0.031	33.37	8.45	6.30	41.46
9700.00	0.81	0.031	33.49	8.42	6.26	41.54
9750.00	0.81	0.031	33.58	8.39	6.24	41.61
9800.00	0.81	0.031	33.87	8.27	6.12	41.78
9850.00	0.81	0.030	34.18	8.13	5.98	41.95
9900.00	0.81	0.030	34.56	7.96	5.81	42.17
9950.00	0.81	0.030	34.82	7.86	5.71	42.32
10000.00	0.81	0.030	34.97	7.80	5.65	42.42
10050.00	0.81	0.030	35.17	7.72	5.57	42.54
10100.00	0.81	0.030	35.39	7.63	5.48	42.67
10150.00	0.81	0.030	35.39	7.65	5.50	42.70
10200.00	0.81	0.029	35.43	7.65	5.50	42.74
10250.00	0.81	0.029	35.33	7.72	5.57	42.71
MHz	m	m	dB	dBi	dBd	dB/m

SCHWARZBECK MESS - ELEKTRONIK

An der Klinge 29 D-69250 Schönau Tel.: 06228/1001 Fax.: (49)6228/1003

Mikrowellen Log. - Per. Antenne STLP 9148

Microwave Log.-Per. Antenna STLP 9148

STLP 9148-110

Frequency	Distance	Wavelength	Attenuation	Gain(Isotr.)	Gain(Dipole)	Ant.-Factor
Frequenz	Abstand	Wellenlänge	Dämpfung	Isotropgewinn	Gewinn über Dipol	Ant.-Wandlungsmaß
MHz	m	m	dB	dBi	dBd	dB/m
10300.00	0.81	0.029	35.37	7.73	5.58	42.75
10350.00	0.81	0.029	35.53	7.66	5.51	42.86
10400.00	0.80	0.029	35.49	7.71	5.55	42.85
10450.00	0.80	0.029	35.49	7.73	5.58	42.88
10500.00	0.80	0.029	35.52	7.73	5.58	42.91
10550.00	0.80	0.028	35.32	7.85	5.70	42.84
10600.00	0.80	0.028	35.07	8.00	5.84	42.73
10650.00	0.80	0.028	34.77	8.16	6.01	42.60
10700.00	0.80	0.028	34.52	8.31	6.16	42.50
10750.00	0.80	0.028	34.29	8.44	6.29	42.41
10800.00	0.80	0.028	34.17	8.52	6.37	42.37
10850.00	0.80	0.028	34.02	8.61	6.46	42.32
10900.00	0.80	0.028	33.98	8.65	6.50	42.31
10950.00	0.80	0.027	33.92	8.70	6.55	42.30
11000.00	0.80	0.027	33.94	8.71	6.56	42.33
11050.00	0.80	0.027	33.69	8.86	6.70	42.23
11100.00	0.80	0.027	33.51	8.96	6.81	42.16
11150.00	0.80	0.027	33.43	9.02	6.87	42.14
11200.00	0.80	0.027	33.29	9.11	6.96	42.09
11250.00	0.80	0.027	33.18	9.19	7.04	42.06
11300.00	0.80	0.027	33.14	9.22	7.07	42.06
11350.00	0.80	0.026	33.22	9.20	7.05	42.12
11400.00	0.80	0.026	33.47	9.10	6.95	42.26
11450.00	0.80	0.026	33.58	9.06	6.91	42.34
11500.00	0.80	0.026	33.69	9.02	6.87	42.41
11550.00	0.80	0.026	33.81	8.98	6.83	42.49
11600.00	0.80	0.026	34.13	8.84	6.69	42.67
11650.00	0.80	0.026	34.52	8.66	6.51	42.89
11700.00	0.80	0.026	34.74	8.57	6.42	43.01
11750.00	0.80	0.026	34.91	8.50	6.35	43.12
11800.00	0.80	0.025	35.25	8.35	6.20	43.31
11850.00	0.80	0.025	35.38	8.30	6.15	43.39
11900.00	0.80	0.025	35.49	8.27	6.11	43.47
11950.00	0.80	0.025	35.42	8.32	6.16	43.45
12000.00	0.80	0.025	35.37	8.36	6.21	43.44
12050.00	0.80	0.025	35.26	8.43	6.28	43.41
12100.00	0.80	0.025	35.26	8.45	6.30	43.42
12150.00	0.80	0.025	35.28	8.45	6.30	43.46
12200.00	0.80	0.025	35.43	8.40	6.25	43.55
12250.00	0.80	0.024	35.66	8.30	6.15	43.68
12300.00	0.80	0.024	35.92	8.19	6.04	43.83
12350.00	0.80	0.024	36.16	8.08	5.93	43.97
12400.00	0.80	0.024	36.61	7.88	5.73	44.21
12450.00	0.80	0.024	36.78	7.81	5.66	44.32
12500.00	0.80	0.024	36.88	7.78	5.62	44.38
12550.00	0.80	0.024	36.89	7.79	5.64	44.40
12600.00	0.80	0.024	36.96	7.77	5.62	44.46
12650.00	0.80	0.024	37.13	7.70	5.55	44.56
12700.00	0.80	0.024	37.26	7.65	5.50	44.65
MHz	m	m	dB	dBi	dBd	dB/m

SCHWARZBECK MESS - ELEKTRONIK

An der Klinge 29 D-69250 Schönau Tel.: 06228/1001 Fax.: (49)6228/1003

Mikrowellen Log. - Per. Antenne STLP 9148

Microwave Log.-Per. Antenna STLP 9148

STLP 9148-110

Frequency	Distance	Wavelength	Attenuation	Gain(Isotr.)	Gain(Dipole)	Ant.-Factor
Frequenz	Abstand	Wellenlänge	Dämpfung	Isotropgewinn	Gewinn über Dipol	Ant.-Wandlungsmaß
MHz	m	m	dB	dBi	dBd	dB/m
12750.00	0.80	0.024	37.16	7.72	5.57	44.61
12800.00	0.80	0.023	37.22	7.70	5.55	44.66
12850.00	0.80	0.023	37.27	7.69	5.54	44.70
12900.00	0.80	0.023	37.27	7.71	5.56	44.72
12950.00	0.80	0.023	36.97	7.88	5.73	44.58
13000.00	0.80	0.023	36.62	8.07	5.92	44.43
13050.00	0.80	0.023	36.35	8.22	6.07	44.31
13100.00	0.80	0.023	36.25	8.29	6.14	44.28
13150.00	0.80	0.023	36.15	8.35	6.20	44.24
13200.00	0.80	0.023	35.87	8.51	6.36	44.12
13250.00	0.80	0.023	35.59	8.67	6.51	44.00
13300.00	0.80	0.023	35.57	8.69	6.54	44.01
13350.00	0.80	0.022	35.56	8.71	6.56	44.02
13400.00	0.80	0.022	35.51	8.75	6.60	44.01
13450.00	0.80	0.022	35.31	8.87	6.71	43.93
13500.00	0.80	0.022	35.28	8.90	6.75	43.93
13550.00	0.80	0.022	35.44	8.84	6.68	44.02
13600.00	0.80	0.022	35.78	8.68	6.53	44.21
13650.00	0.80	0.022	36.06	8.56	6.40	44.37
13700.00	0.80	0.022	36.22	8.49	6.34	44.47
13750.00	0.80	0.022	36.46	8.39	6.24	44.60
13800.00	0.80	0.022	36.72	8.27	6.12	44.75
13850.00	0.80	0.022	36.93	8.18	6.03	44.87
13900.00	0.80	0.022	37.19	8.07	5.92	45.01
13950.00	0.80	0.022	37.38	7.99	5.84	45.13
14000.00	0.80	0.021	37.55	7.92	5.77	45.22
14050.00	0.80	0.021	37.83	7.79	5.64	45.38
14100.00	0.80	0.021	37.97	7.74	5.59	45.47
14150.00	0.80	0.021	38.11	7.68	5.53	45.55
14200.00	0.80	0.021	38.17	7.67	5.52	45.60
14250.00	0.80	0.021	38.15	7.69	5.54	45.61
14300.00	0.80	0.021	38.21	7.68	5.53	45.65
14350.00	0.80	0.021	38.33	7.63	5.48	45.73
14400.00	0.80	0.021	38.46	7.58	5.43	45.81
14450.00	0.80	0.021	38.48	7.58	5.43	45.84
14500.00	0.79	0.021	38.68	7.50	5.35	45.95
14550.00	0.79	0.021	38.94	7.38	5.23	46.10
14600.00	0.79	0.021	39.28	7.23	5.08	46.28
14650.00	0.79	0.020	39.41	7.17	5.02	46.36
14700.00	0.79	0.020	39.50	7.15	5.00	46.42
14750.00	0.79	0.020	39.59	7.12	4.97	46.48
14800.00	0.79	0.020	39.78	7.03	4.88	46.59
14850.00	0.79	0.020	39.83	7.02	4.87	46.63
14900.00	0.79	0.020	39.71	7.10	4.95	46.58
14950.00	0.79	0.020	39.45	7.24	5.09	46.47
15000.00	0.79	0.020	39.28	7.34	5.19	46.40
15050.00	0.79	0.020	39.11	7.44	5.29	46.33
15100.00	0.79	0.020	38.82	7.60	5.45	46.20
15150.00	0.79	0.020	38.43	7.81	5.66	46.02
MHz	m	m	dB	dBi	dBd	dB/m

SCHWARZBECK MESS - ELEKTRONIK

An der Klinge 29 D-69250 Schönau Tel.: 06228/1001 Fax.: (49)6228/1003

Mikrowellen Log. - Per. Antenne STLP 9148

Microwave Log.-Per. Antenna STLP 9148

STLP 9148-110

Frequency	Distance	Wavelength	Attenuation	Gain(Isotr.)	Gain(Dipole)	Ant.-Factor
Frequenz	Abstand	Wellenlänge	Dämpfung	Isotrop-gewinn	Gewinn über Dipol	Ant.-Wandlungsmaß
MHz	m	m	dB	dBi	dBd	dB/m
15200.00	0.79	0.020	38.08	8.00	5.85	45.86
15250.00	0.79	0.020	37.96	8.07	5.92	45.81
15300.00	0.79	0.020	37.93	8.10	5.95	45.82
15350.00	0.79	0.020	37.90	8.13	5.98	45.81
15400.00	0.79	0.019	37.91	8.14	5.99	45.83
15450.00	0.79	0.019	37.77	8.22	6.07	45.78
15500.00	0.79	0.019	37.79	8.22	6.07	45.80
15550.00	0.79	0.019	37.84	8.21	6.06	45.84
15600.00	0.79	0.019	37.80	8.25	6.10	45.84
15650.00	0.79	0.019	37.58	8.37	6.22	45.74
15700.00	0.79	0.019	37.36	8.49	6.34	45.65
15750.00	0.79	0.019	37.23	8.57	6.42	45.59
15800.00	0.79	0.019	37.20	8.60	6.45	45.60
15850.00	0.79	0.019	37.16	8.63	6.48	45.59
15900.00	0.79	0.019	37.13	8.66	6.51	45.59
15950.00	0.79	0.019	37.08	8.70	6.55	45.58
16000.00	0.79	0.019	37.24	8.63	6.48	45.67
16050.00	0.79	0.019	37.45	8.54	6.39	45.79
16100.00	0.79	0.019	37.58	8.49	6.34	45.87
16150.00	0.79	0.019	37.61	8.49	6.34	45.89
16200.00	0.79	0.019	37.66	8.47	6.32	45.94
16250.00	0.79	0.018	37.74	8.45	6.30	45.99
16300.00	0.79	0.018	37.80	8.43	6.28	46.03
16350.00	0.79	0.018	37.79	8.45	6.30	46.04
16400.00	0.79	0.018	37.74	8.49	6.34	46.03
16450.00	0.79	0.018	37.75	8.49	6.34	46.05
16500.00	0.79	0.018	38.01	8.38	6.23	46.19
16550.00	0.79	0.018	38.35	8.22	6.07	46.38
16600.00	0.79	0.018	38.58	8.12	5.97	46.50
16650.00	0.79	0.018	38.74	8.05	5.90	46.60
16700.00	0.79	0.018	38.96	7.95	5.80	46.72
16750.00	0.79	0.018	39.50	7.70	5.55	47.00
16800.00	0.79	0.018	39.84	7.54	5.39	47.19
16850.00	0.79	0.018	39.96	7.49	5.34	47.26
16900.00	0.79	0.018	40.01	7.48	5.33	47.30
16950.00	0.79	0.018	40.04	7.48	5.33	47.33
17000.00	0.79	0.018	40.26	7.38	5.23	47.45
17050.00	0.79	0.018	40.48	7.28	5.13	47.57
17100.00	0.79	0.018	40.42	7.32	5.17	47.56
17150.00	0.79	0.017	40.41	7.34	5.19	47.56
17200.00	0.79	0.017	40.56	7.28	5.12	47.66
17250.00	0.79	0.017	40.80	7.17	5.02	47.79
17300.00	0.79	0.017	41.14	7.01	4.86	47.97
17350.00	0.79	0.017	41.27	6.96	4.81	48.05
17400.00	0.79	0.017	41.38	6.92	4.77	48.11
17450.00	0.79	0.017	41.58	6.83	4.68	48.23
17500.00	0.79	0.017	41.84	6.71	4.56	48.37
17550.00	0.79	0.017	42.05	6.62	4.47	48.49
17600.00	0.79	0.017	41.95	6.68	4.53	48.45
MHz	m	m	dB	dBi	dBd	dB/m

SCHWARZBECK MESS - ELEKTRONIK

An der Klinge 29 D-69250 Schönau Tel.: 06228/1001 Fax.: (49)6228/1003

Mikrowellen Log. - Per. Antenne STLP 9148

Microwave Log.-Per. Antenna STLP 9148

STLP 9148-110

Frequency	Distance	Wavelength	Attenuation	Gain(Isotr.)	Gain(Dipole)	Ant.-Factor
Frequenz	Abstand	Wellenlänge	Dämpfung	Isotropgewinn	Gewinn über Dipol	Ant.-Wandlungsmaß
MHz	m	m	dB	dBi	dBd	dB/m
17650.00	0.79	0.017	41.82	6.76	4.61	48.40
17700.00	0.79	0.017	42.02	6.67	4.52	48.51
17750.00	0.79	0.017	42.28	6.55	4.40	48.65
17800.00	0.79	0.017	42.17	6.62	4.47	48.61
17850.00	0.79	0.017	42.01	6.71	4.56	48.54
17900.00	0.79	0.017	42.04	6.71	4.56	48.57
17950.00	0.79	0.017	42.33	6.57	4.42	48.73
18000.00	0.79	0.017	42.63	6.43	4.28	48.89
18050.00	0.79	0.017	42.55	6.48	4.33	48.87
18100.00	0.79	0.017	42.45	6.55	4.40	48.83
18150.00	0.79	0.017	42.43	6.57	4.42	48.83
18200.00	0.79	0.016	42.71	6.44	4.29	48.98
18250.00	0.79	0.016	42.79	6.41	4.26	49.03
18300.00	0.79	0.016	42.55	6.54	4.39	48.93
18350.00	0.79	0.016	42.33	6.67	4.52	48.83
18400.00	0.79	0.016	42.36	6.66	4.51	48.85
18450.00	0.79	0.016	42.33	6.69	4.54	48.85
18500.00	0.79	0.016	42.47	6.63	4.48	48.93