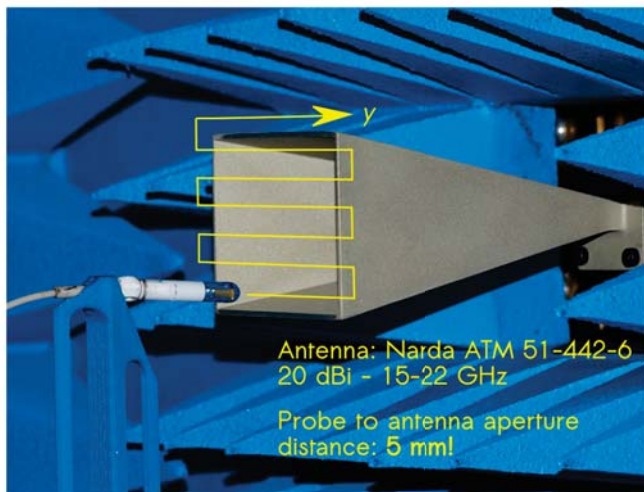


Single measurement in near field (vector 2D E-field mapping)

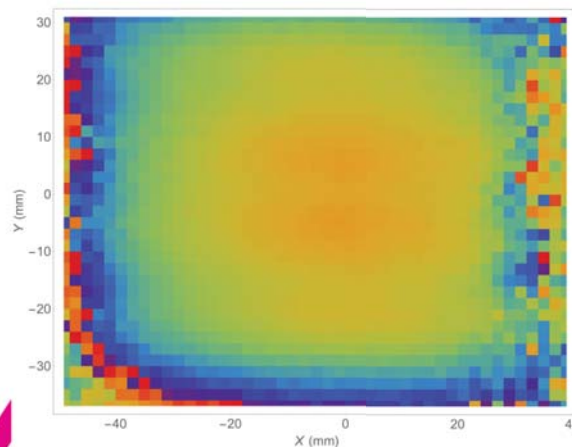
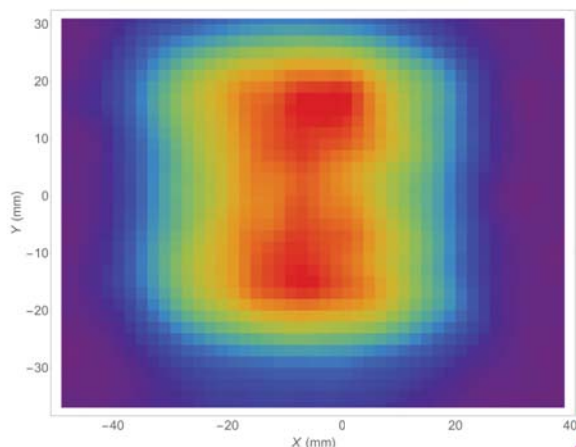
Your key partner
for electromagnetism
in harsh environment



Modulus

Phase

f = 20 GHz
20 dBm inj. power
Raw data
2mm spatial sampl.

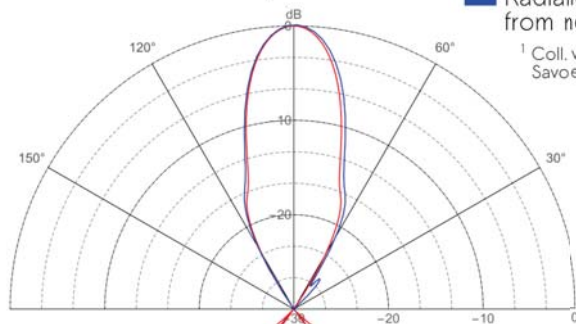
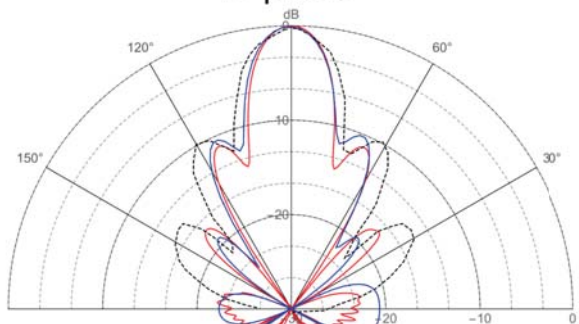


Near to far field
transformation

Comprehensive antenna characterisation (radiation pattern)

E plane

H plane



- Manufacturer data (Typ.)
- HFSS EM simulation¹
- Radiation pattern extracted from near field mapping

¹ Coll. with IMEP-LAHC lab. Savoie-M^t-Blanc University

Contact Kapteos for **your turnkey solution**

- Customized Comprehensive E-field Measurement System including
- * < 1 m³ Removable tunnel-type semi-anechoic chamber
 - * Software based on your own specific needs
 - * Cartesian robot, Vector Network Analyzer if required

- Main specifications
- * Unlimited performances (up to 100 GHz)
 - * Straightforward operation and ultrafast (< 15')
 - * No extra cost, all included